

# MPO650/MPO850

## Module PV Optimizer

By utilizing module-level power optimization technology, SOLARMAN module PV optimizer can recover the electricity loss caused by component mismatch, and increase the system power generation by 5% to 30%.

Additionally, SOLARMAN optimizer is equipped with rapid shutdown function compliant with safety regulations of various countries, ensuring fire safety and O&M security. Through module-level data monitoring, SOLARMAN optimizer realizes fine-tuned management, which is able to identify inefficient modules promptly.

## I Applicable Scenarios

- Recover power generation caused by module mismatch, including orientation, shading, soiling, snow remnant, bifacial application, mixed assembly of battery panels or damage
- Compliant with safety regulations and realize rapid shutdown function
- Realize module-level data monitoring and fast troubleshooting

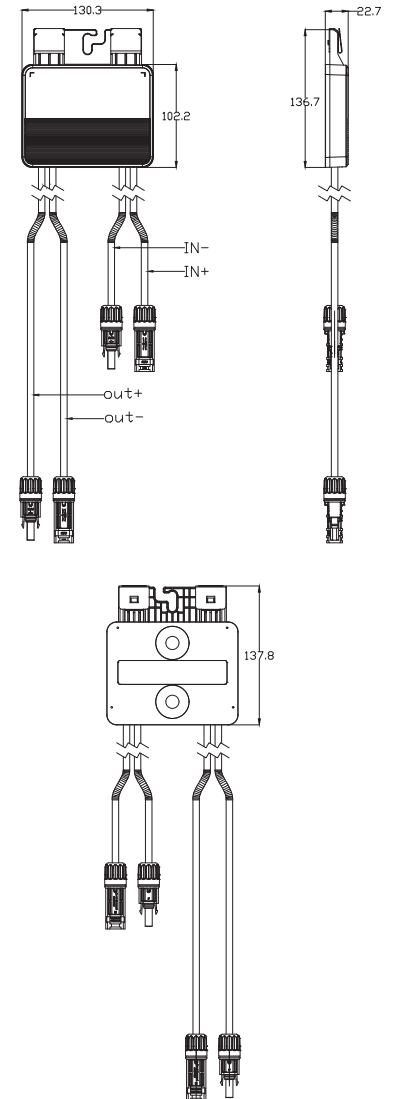
## I Features

- Increase the system power generation by 5% to 30%
- One-click rapid shutdown, compliant with safety regulations worldwide
- Module-level data monitoring for fast troubleshooting
- Adopt automotive-grade chip with 30-year design life
- Easy to install, convenient debugging and configuration via APP
- Connect to partial or all modules according to actual situation
- Compatible with 99% of inverter brands

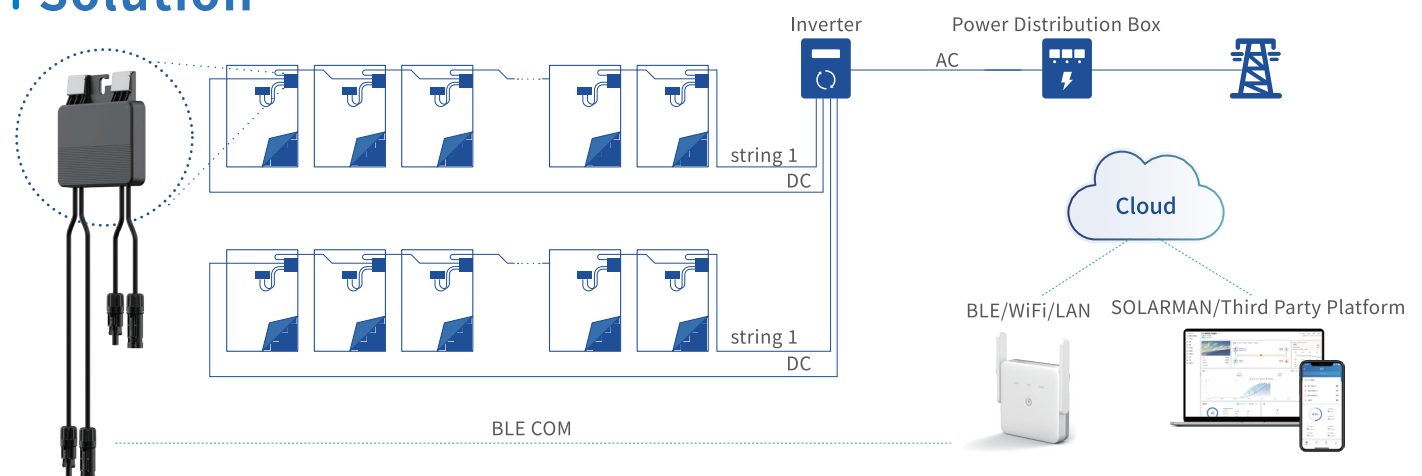


# I Parameters

Model	MPO650	MPO850
<b>Input Parameter</b>		
Peak Conversion Efficiency	99.50%	99.50%
Rate Input Power	650Wp	850Wp
Max. Input Voltage	70V	70V
Max. Input Current	16A	20A
MPPT Voltage Range	10-70 V	10-70 V
<b>Output Parameter</b>		
Max. Output Power	650Wp	850Wp
Max. Output Voltage	65V	65V
Max. Output Current	16A	20A
<b>COM Parameter</b>		
Communication Type	BLE Mesh	BLE Mesh
Max. Distance	300m	300m
No. of Single Network Connection	300	300
<b>Others</b>		
Dimension (mm)	130.3*102.2*22.7	130.3*102.2*22.7
Weight (with cable-standard configuration)	711g	868g
Installation	Screw+Clip	Screw+Clip
Connector	NIU A4 max/QC/MC4	NIU A4 max/QC/MC4
Cable	4mm <sup>2</sup> /10-12AWG	4mm <sup>2</sup> /10-12AWG
Working Temperature	-40°C~+85°C	-40°C~+85°C
IP Grade	IP68	IP68
Certification Standard	CE/RoHs/REACH/TUV	CE/RoHs/REACH/TUV
Design Life	25-year	25-year



# I Solution



## IGEN Tech Co., Ltd.

For Sales: [info@solarmanpv.com](mailto:info@solarmanpv.com) For After-sales: [customerservice@solarmanpv.com](mailto:customerservice@solarmanpv.com)  
 Whatsapp: +86-153-1222-5591 Web: [www.solarmanpv.com](http://www.solarmanpv.com)

